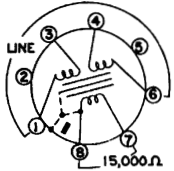
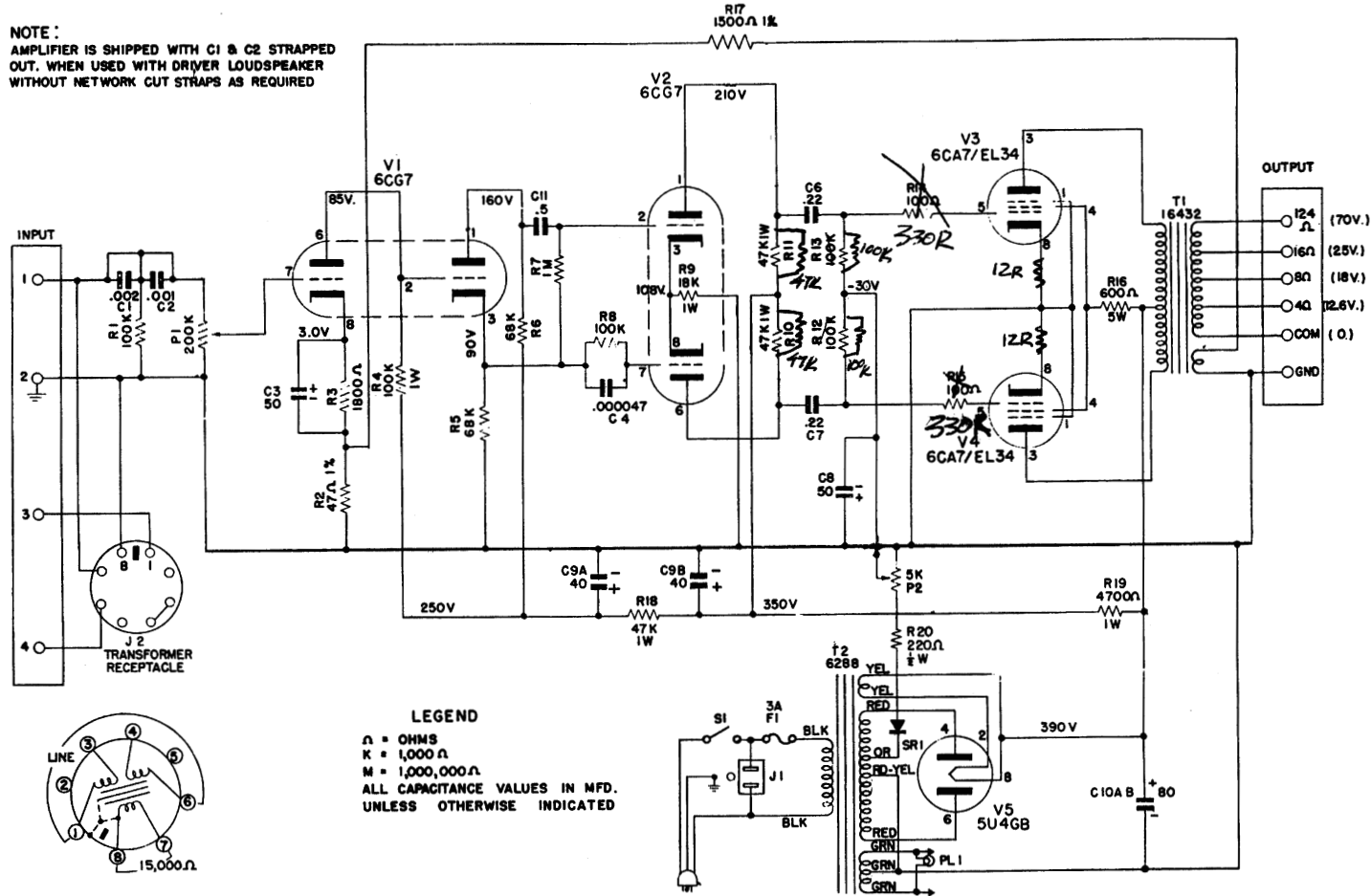


1568A

Altec Lansing

NOTE:
AMPLIFIER IS SHIPPED WITH C1 & C2 STRAPPED
OUT. WHEN USED WITH DRIVER LOUSPEAKER
WITHOUT NETWORK CUT STRAPS AS REQUIRED



15095 TRANSFORMER IMPEDANCES
LINE STRAP J2
150Ω 1-4, 3-6
600Ω 3-4

LEGEND
Ω = OHMS
K = 1,000 Ω
M = 1,000,000 Ω
ALL CAPACITANCE VALUES IN MFD.
UNLESS OTHERWISE INDICATED

ALTEC LANSING
1568 A AMPLIFIER

REV	APPROV	DATE	CHANGE
1		7-27-65	
2		8-26-65	.5 WAS .22 (C11)
3		11-22-65	DELETED C5
4		7-19-66	15095 TRANS. WAS 4665 TRANS.
5		10-20-66	AC RECTIFY. WAS GROUNDING
6		1-17-67	ERRD 110

ALTEC
ANAHIM, CALIFORNIA
1568 A AMPLIFIER
SCHEMATIC
DR. BY G.J.S. 6344-6